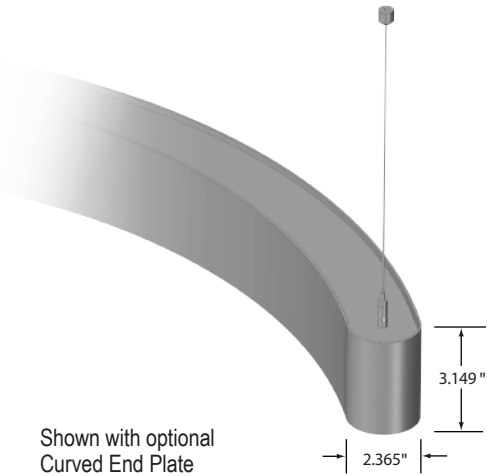


LASSO SLOT S2 - DIRECT (PATTERNS)



PAL Architectural Lighting presents the new LASSO Slot S2 - Direct. The S2 profile allows you the ability to form myriad shapes and patterns - from simple curved corners to the most complex configurations. With your imagination as your guide, the possibilities are limitless.

At only 2.362" in width, the LASSO Slot S2 - Direct is a sleek, compact form that creates a minimal spatial footprint, while at the same time creating a striking architectural statement.

Type:

Project Name:

Catalog Number:

SPECIFICATIONS



Housing

Constructed of extruded aluminum and available in various curve-shape lit fixtures, as well as single straight sections of nominal 2', 3', 4', 5', 6', 7' and 8' long. In combination, custom fixture patterns are available.

Lens/Diffusers

(FAL) Frosted acrylic snap-in lens, with magnetic retention location locks.

(PL) Heavy-duty polycarbonate snap-in lens, with magnetic retention location locks. Lens is IK08 rated for impacts.

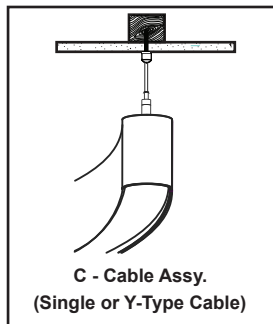
Finish

Standard housing finish is textured matte white or textured matte black. Custom colors are also available.

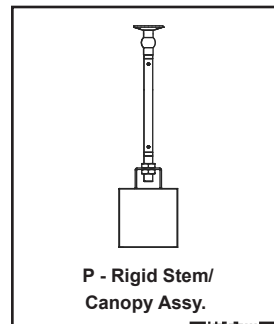
Gear Tray/LED Module

Removeable gear tray is constructed of solid aluminum, has LED module attached and is designed for quick and simple 'single person' installation or removal.

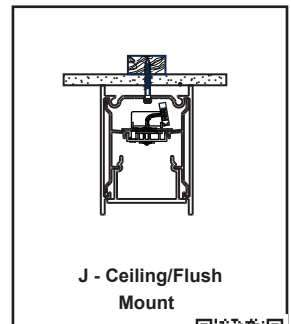
Mountings



*Link to Cable Install Instructions



*Link to Stem/Canopy Install Instructions



*Link to Ceiling/Flush Install Instructions



Color Temperatures/CRI

LED light sources are available for the following Co-ordinated Color Temperatures (CCT):

Standard: 3000K, 3500K, 4000K, & 5000K

Tunable White: Variable CCT range from 2700K thru 6500K.

RGBW: (Red, Green, Blue, White) color-changing logic module is rated at 90+ CRI and is available in standard High Output and Medium Output.

Contact factory for available custom outputs.

Color Rendering Index (CRI): Standard: 90
Optional: 80

Warranty

10-year limited warranty. No other warranty is expressed or implied. Complete warranty terms can be accessed by visiting:

<https://pal-lighting.com/company/warranty>

Certifications

Fixtures are UL listed for use in 'Dry or Damp Applications'. Fixtures are CE listed for the European market. Fixtures also carry an EMC rating (electromagnetic compatibility).

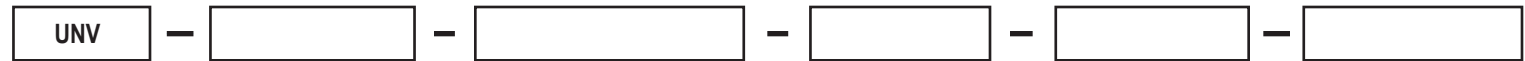
ORDERING GUIDE



Series	Outputs	Color Temp. (CCT)	Color Render	Straight Fixtures	Custom Fixture Pattern
LS2-D LASSO SLOT S2 - DIRECT	Standard Outputs: HO High Output 875 Lms/Ft MO Medium Output 475 Lms/Ft Custom Outputs: *CO ___ Custom Output *Maximum to Minimum Outputs Available: Using 90 CRI Driver: 198 Lms/Ft - 1219 Lms/Ft Using 80 CRI Driver: 381 Lms/Ft - 1265 Lms/Ft	Standard: K30 3000 Kelvin K35 3500 Kelvin K40 4000 Kelvin K50 5000 Kelvin Optional: TW 2700K thru 6500K (Tunable White) RGBW Red/Green/Blue/White (Color Changing)	90 90 CRI (Standard) 80 80 CRI (Optional)	Nominal Lengths: 2' 5' 3' 6' 4' 7' 8'	Describe Pattern: _____ _____ _____ Example: Hexagonal pattern with 3' long sides.



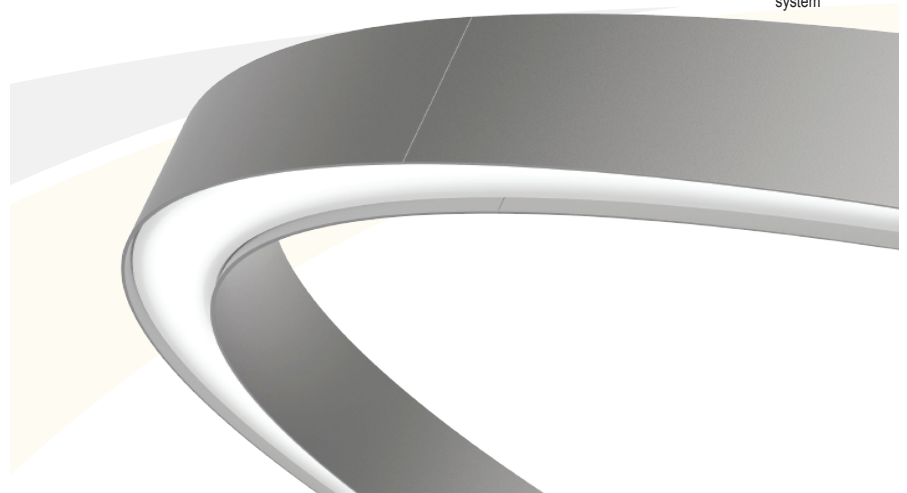
Curve-Shape Fixtures	Standard Connectors	Mounting	Lenses / Diffusers	Housing Color	End Caps
48R (48" Radius): 48R/90 90 Deg Bend 48R/45 45 Deg Bend 48R/60 60 Deg Bend 48R/30 30 Deg Bend 17R (17" Radius): 17R/90 90 Deg Bend 17R/45 45 Deg Bend 17R/60 60 Deg Bend 17R/30 30 Deg Bend	33R (33" Radius): 33R/90 90 Deg Bend 33R/45 45 Deg Bend 33R/60 60 Deg Bend 33R/30 30 Deg Bend Y-Shape Bend Connectors: Y-48R/45 48" Radius w/45 Deg Bend Y-33R/45 33" Radius w/45 Deg Bend Y-17R/45 17" Radius w/45 Deg Bend V-Shape Bend Connectors: V-48R/45 48" Radius w/45 Deg Bend V-33R/45 33" Radius w/45 Deg Bend V-17R/45 17" Radius w/45 Deg Bend	C Cable Assy - Single Cable CY Cable Assy - Y-Type Split Cable P Rigid Stem/Canopy Assy J Ceiling/Flush Mount	FAL Frosted Acrylic Lens PL Polycarbonate Lens	F01M Textured Matte White (Standard) F11M Textured Matte Black (Standard) FCC Custom Color - RAL Color # ____	FE Flat End Cap CE Curved End Cap



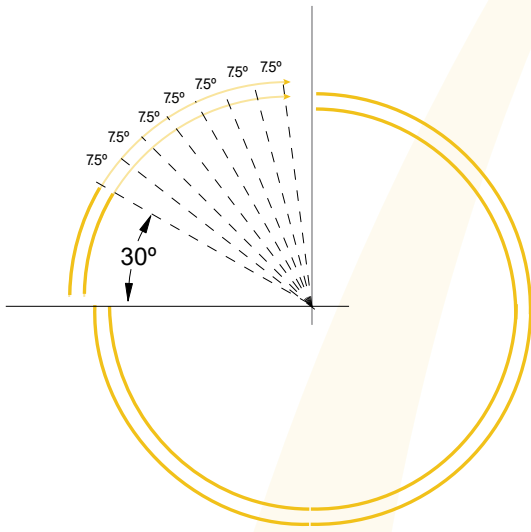
Voltage	Drivers - Dimming	Drivers - Tun. White / RGBW	Sensor Options	Emergency Options	Control Options
UNV Universal Voltage (120V - 277V)	DIM10 Dimming 100% - 10% DIM5 Dimming 100% - 5% DIM1 Dimming 100% - 1% DIM0 Dimming 100% - 0%	TW DALI protocol driver - Tunable White Color Tuning RGBW DMX protocol driver - RGBW Red/Green/Blue/White Color Tuning	OCC Occupancy/Motion Sensor DS Daylight/Photocell Sensor	EBPH Emergency Battery Pack	0-10V 0-10V protocol DALI DALI protocol (TW) DMX DMX protocol (RGBW) CASAMBI Casambi protocol wireless control system

Notes:

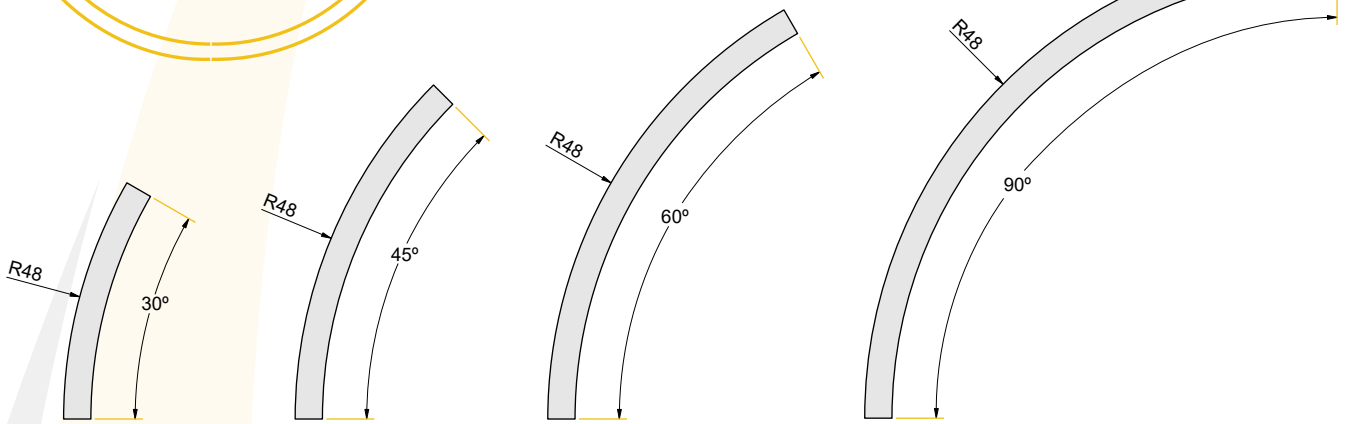
- All fixtures are factory pre-wired for a single circuit. Provisions for multiple switching/circuiting is optional.
- Straight fixtures and 48R (48" Radius) arc segments contain integral drivers. Arc segments below 48R have remote drivers.
- Standard power supply (driver) is UL recognized, and is available with 0-10V dimming capability as well as 120 thru 277 universal voltage.
- Tunable White power supply (driver) is UL recognized, and is compatible with DALI control protocols.
- RGBW power supply (driver) is UL recognized, and is compatible with DMX control protocols.
- LASSO Slot S2 - Direct fixtures are IP20 rated - for indoor use only.



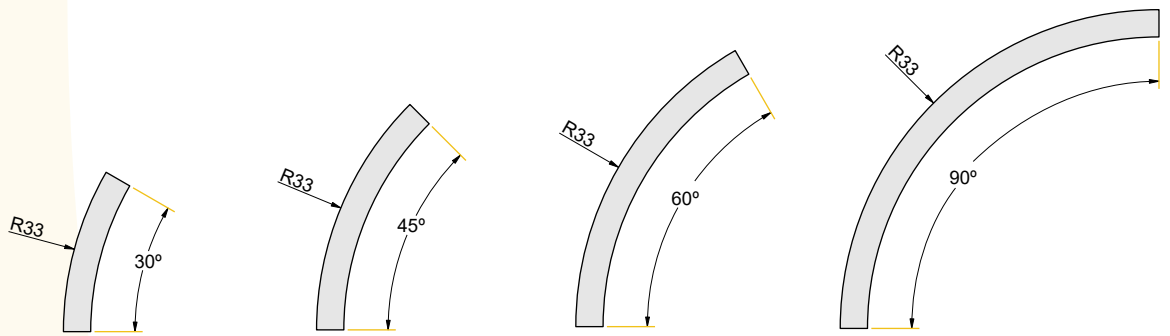
LASSO SLOT S2 - DIRECT Standard Bend Options



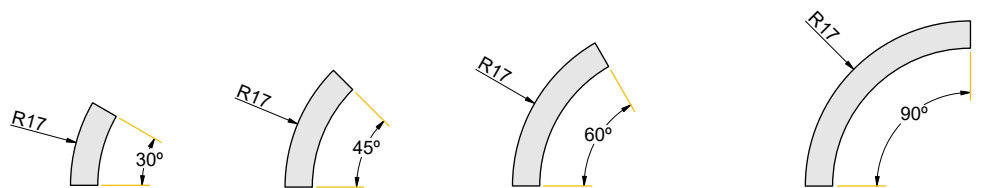
Minimum 30° segment, then each segment can be increased in 7.5° increments. Arc segments below 48R have remote drivers.



48R (48" Radius)



33R (33" Radius)

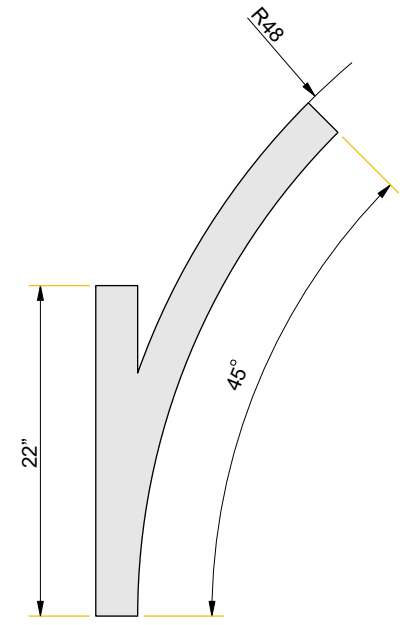
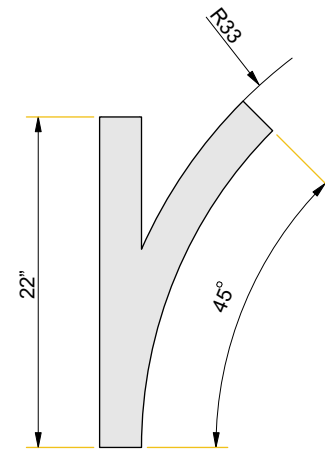
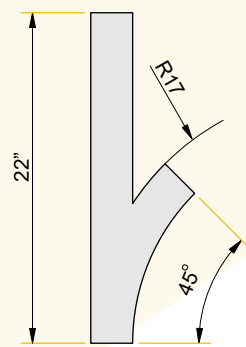


17R (17" Radius)

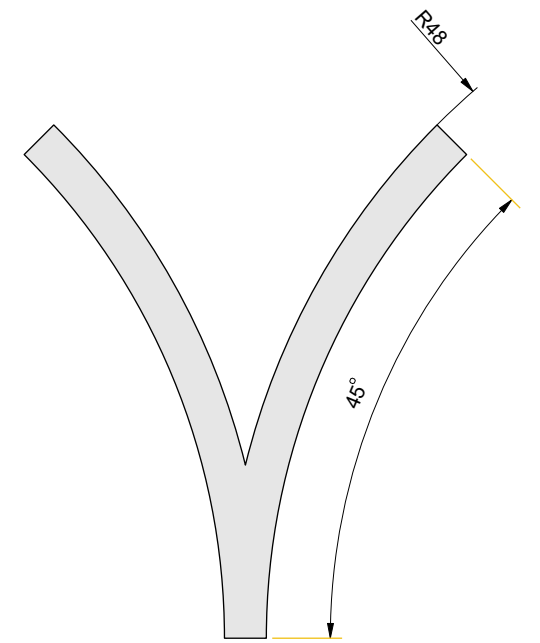
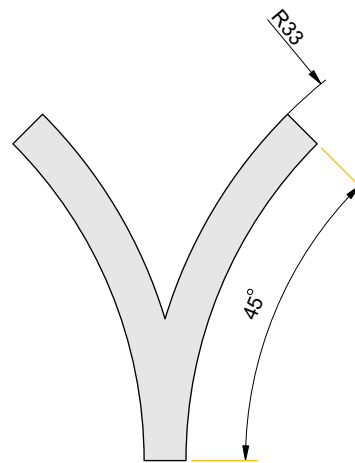
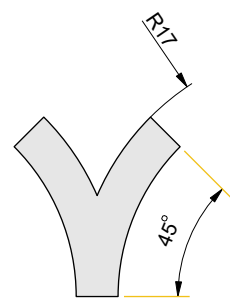
*Other custom radii available on request

All radii bends can have integral drivers provided they ajoin a straight section or are ≥ 48R

LASSO
SLOT S2 - DIRECT
Standard Connections



Y Bends



V Bends

*Other options available upon request.

Data Table



LASSO SLOT S2 - DIRECT				
LED Engine	4ft Length	Luminous Flux (Standard) (Delivered Lumens)	MO 1900	HO 3500
LED Engine	Standard	CRI	90+	
		Lumen Maint / Max-Min Outputs	82,000 Hours (L80 B10 @ 35°) / 198 Lms/Ft thru 1219 Lms/Ft	
	Lower CRI	CRI	80+	
		Lumen Maint / Max-Min Outputs	114,000 Hours (L90 B10 @ 50°) / 381 Lms/Ft thru 1265 Lms/Ft	
Warranty (Drivers)	Standard	10 Years		
	High CRI	10 Years		
Electrical	Power Consumption	Between 6 and 14 W/Ft		
	Voltage input range	120 – 277V (UNV)		
	Controls	0-10 volts / Dali Control Gear / DMX / Dimmer switch / Constant light output / Motion sensor / Ripple free / Bluetooth mesh / Casambi control wireless system		
	Total harmonic distortion THD	9.8% max		
	Approvals / Certifications	UL / CE		
Physical	Dimensions	2.365" Wide (3.385" with flange included) X 3.937" High		
	Weight per Foot	2.22 lbs - average weight		
	Housing	Aluminium extrusion / powder-coated finish only		
	Diffuser	Frosted acrylic lens / Polycarbonate lens		
	Accessories	Various connection shapes available		
	Connections	Speed Connect Joining System with Polarized electrical connection between sections		
	Compatible ceiling type	Suitable for gyprock (drywall) ceilings, metal pan, concrete, timber and T-bar grid ceilings		
	Mounting	Cable (Single or Y-Type), Rigid Stem, Ceiling Mount		
	Bend Radii - (Inches)	17R / 33R / 48R as standard with custom radii available		
	Miter Bend Options	Lit corner 90° / Cross 90° / Tee 90° / Straight 180° (No unlit)		
	Endplate Options	Flat or optional curved end plates		
	Operating temperatures	Standard (90+ CRI) = -25° C to 35° C (-13° F to 95° F) Lower CRI (80+ CRI) = -25° C to 50° C (-13° F to 140° F)		
	Environment	Dry Indoor Application only - (IP20 rated)		
	Minimum length adjustment	Standard (90+) = 0.984" Lower CRI (80+) = 0.0394"		
	LED Board types	90+ CRI: Boards in 1.97" / 11.02" / 22.04" lengths. (Zhaga compatible) 80+ CRI: Boards in 0.98" / 3.94" / 22.04" lengths. (Zhaga compatible)		
	Configurations	Direct (down) only		

Patented flat end plate is complete with 'magnetic snap' cover plate.

A 7.50° arc = the industry's smallest arc adjustment.

Removable gear-tray for quick and simple 'single person' installation.

The curved endplate option with 'magnetic snap' offers you a contemporary choice for your next project.

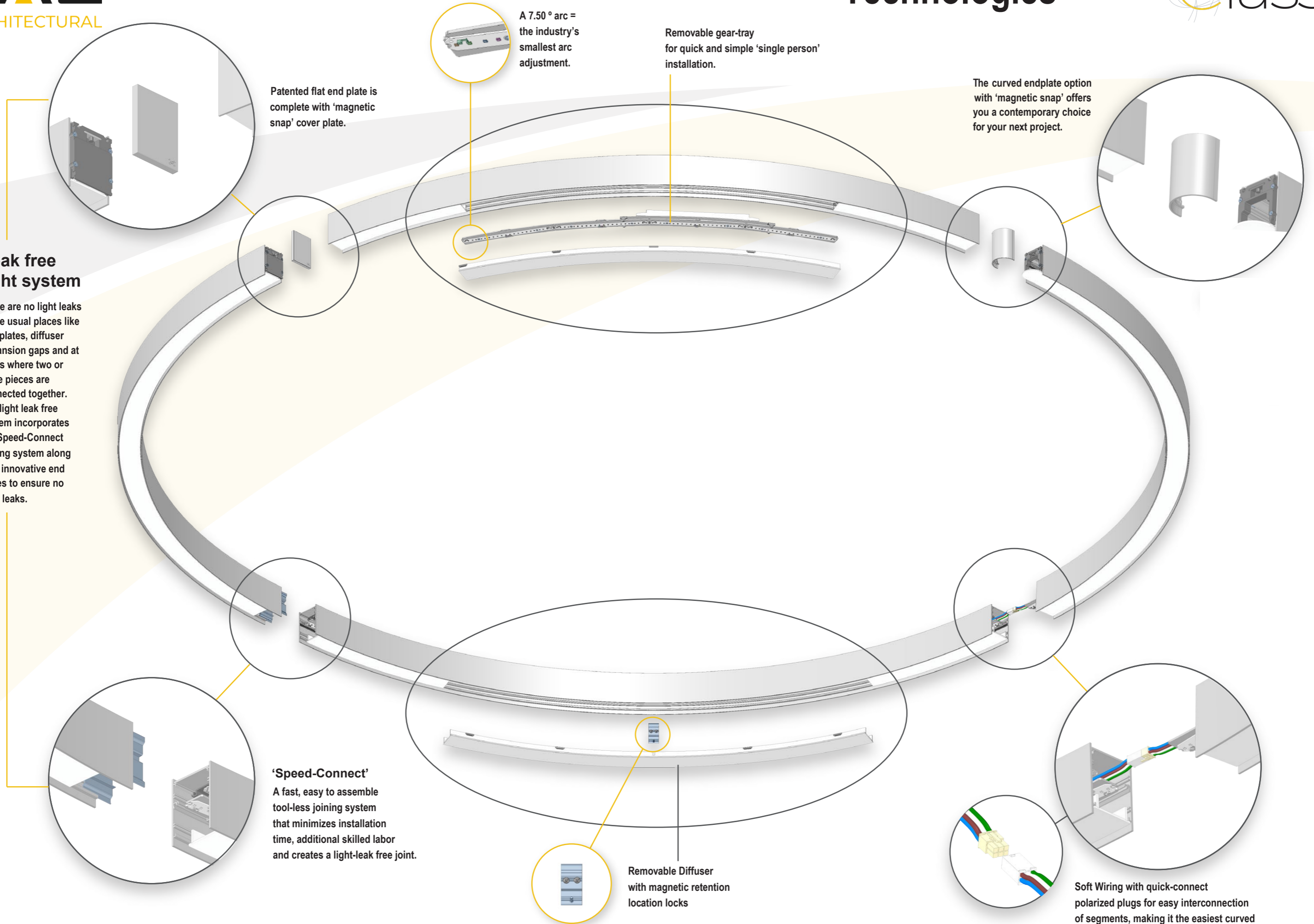
Leak free light system

There are no light leaks in the usual places like end plates, diffuser expansion gaps and at joints where two or more pieces are connected together. The light leak free system incorporates the Speed-Connect joining system along with innovative end plates to ensure no light leaks.

'Speed-Connect'
A fast, easy to assemble tool-less joining system that minimizes installation time, additional skilled labor and creates a light-leak free joint.

Removable Diffuser with magnetic retention location locks

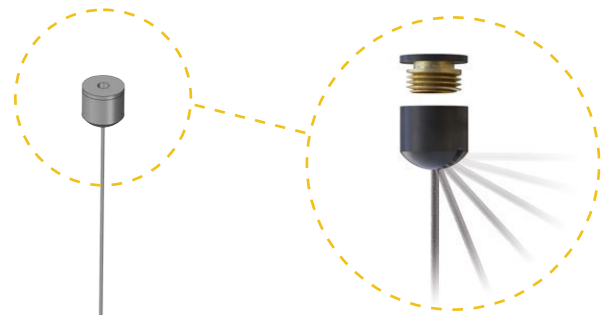
Soft Wiring with quick-connect polarized plugs for easy interconnection of segments, making it the easiest curved profile on the market to install.



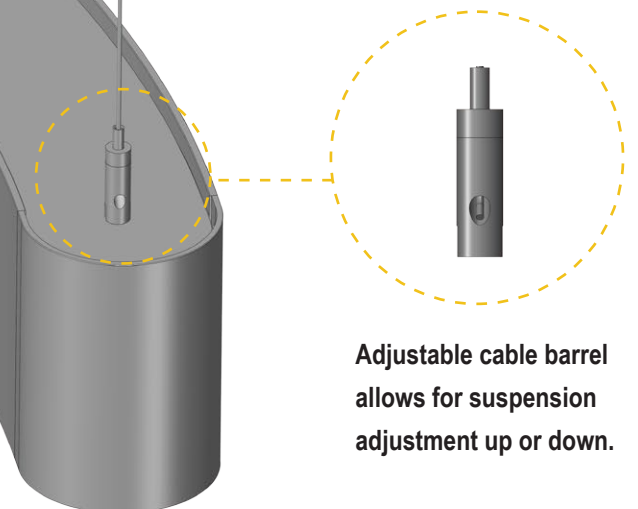
LASSO SLOT S2 - DIRECT

Fully Adjustable Cable/Rollerball Suspension

A smart suspension system that can be mounted on any ceiling, whether flat or sloped.



Custom rollerball cable barrel allows fixture to hang plumb, even on sloped surfaces.

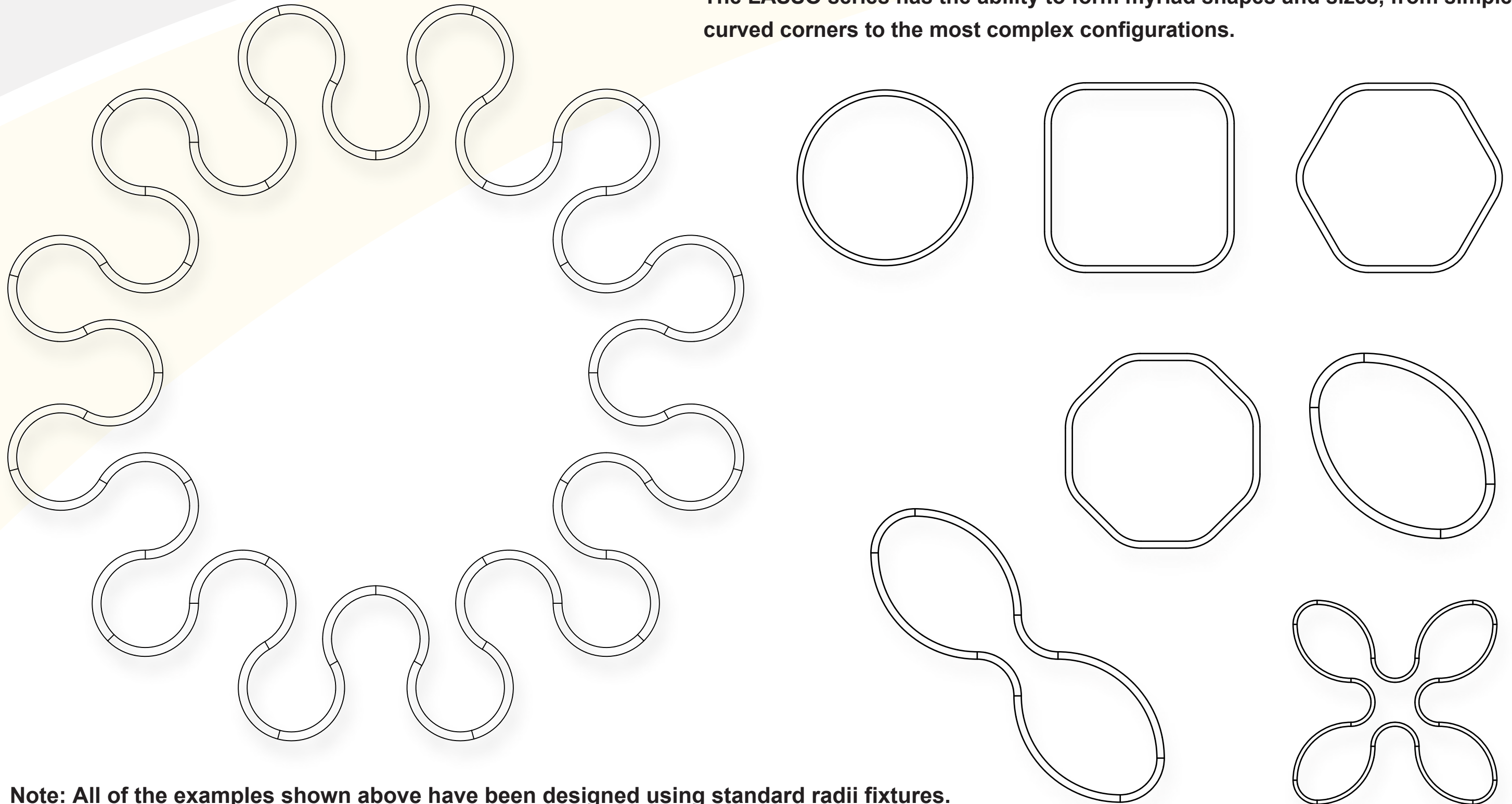


Adjustable cable barrel allows for suspension adjustment up or down.

LASSO SLOT S2 - DIRECT

Some examples of Shapes and Sizes

The LASSO series has the ability to form myriad shapes and sizes, from simple curved corners to the most complex configurations.



Note: All of the examples shown above have been designed using standard radii fixtures.